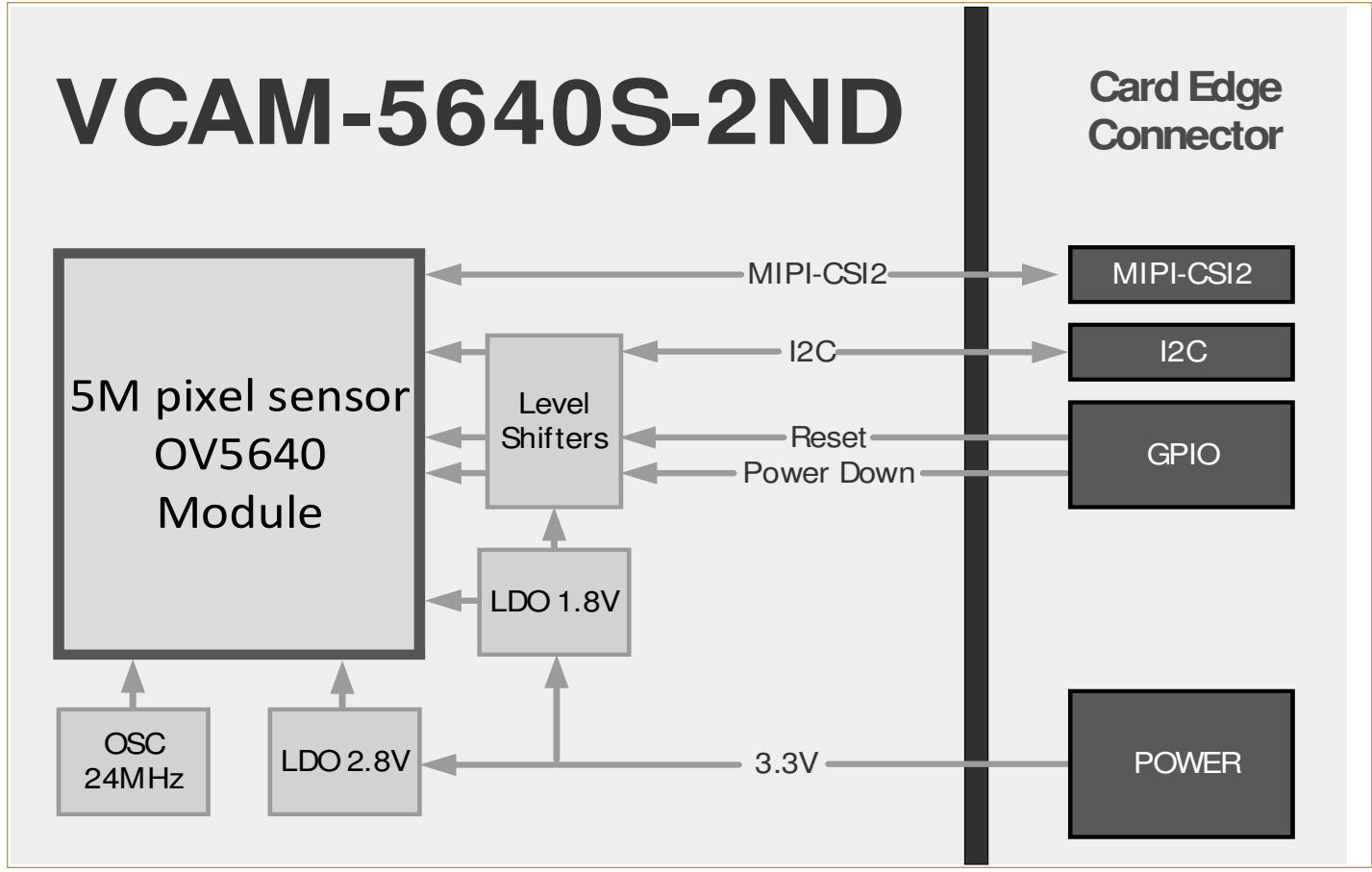




# 02. Block Diagram

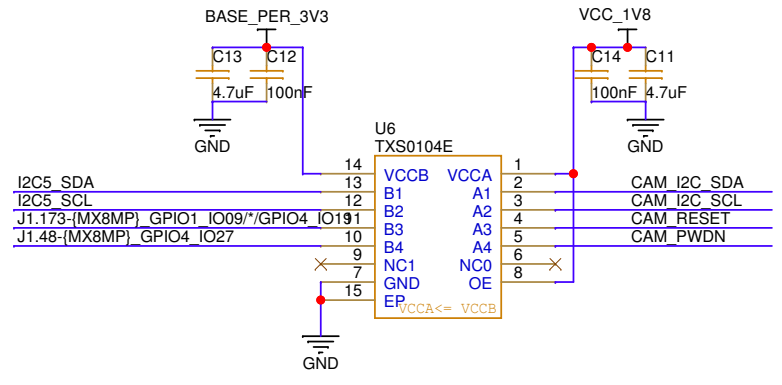
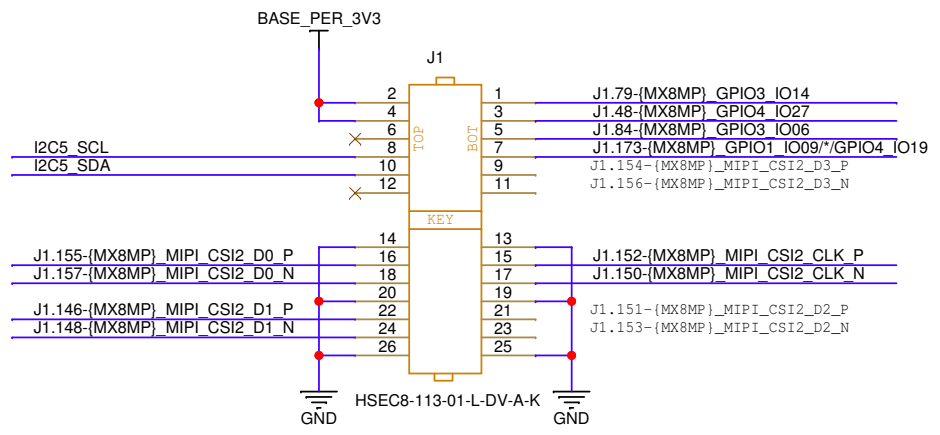


**Variscite**

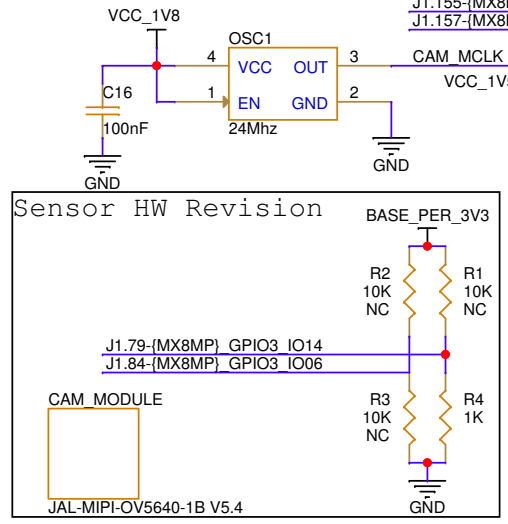
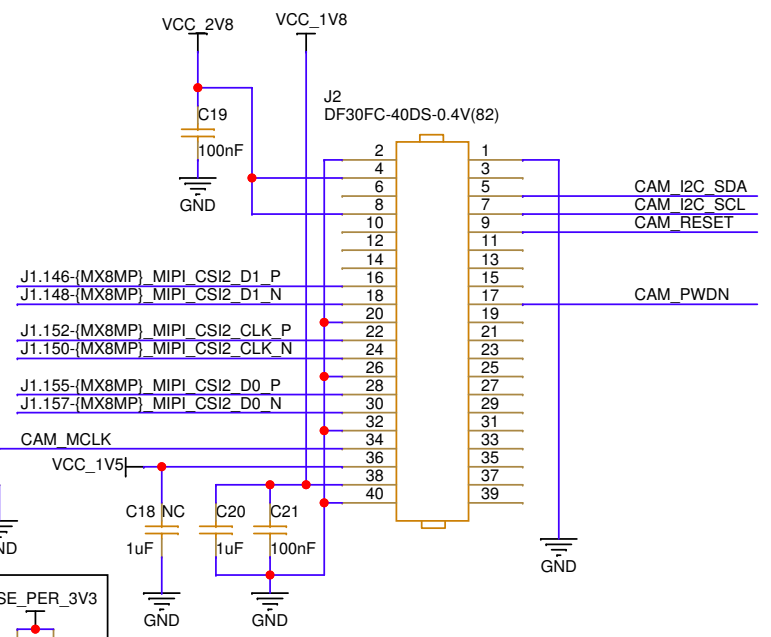
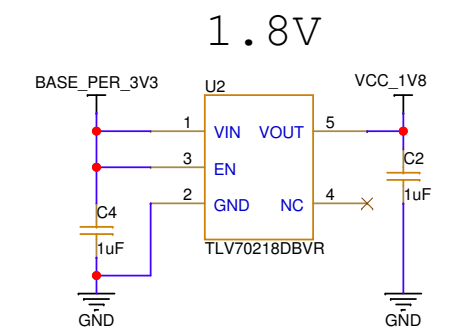
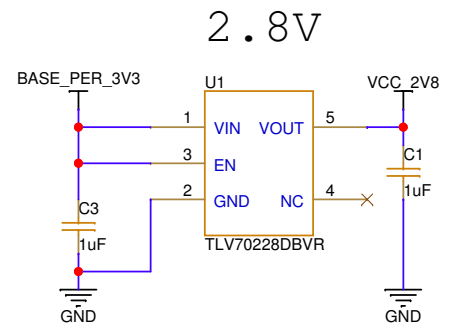
Title: 02. Block Diagram			
Size: A3	Document Number: VCAM-5640S-2ND	Project: VCAM-5640S-2ND	Rev: 1.1A
Designer: Aviad H.	Date: Sunday, November 16, 2025		Approved By:
Sheet: 2		of 3	

# 03. Parallel Camera

## VAR-SOM-MX8M-PLUS MIP-CSI#2



## OV-5640 V5.0 Camera



**Variscite**  
 Title: 03. Parallel Camera  
 Size: A4, Document Number: VCAM-5640S-2ND, Project: VCAM-5640S-2ND, Rev: 1.1A  
 Designer: Aviad H., Date: Sunday, November 16, 2025, Approved By: <Approved By>, Sheet: 3 of 3